



» **Innovative designs to match your vision**

Our in-house design team is continually looking at ways to help you push the boundaries in commercial building design. Of course, the product needs to function as well as look good. That's where our Research & Development team comes in.

It's their job to develop and maintain tested designs of both residential and commercial joinery.

Their scope includes the design of the extrusion, components and hardware items necessary to support the Bradnam's Commercial and Residential fabrication business units.

NALCO has its own IANZ Accredited testing laboratory equipment to ensure designs meet the most stringent local and overseas standards and building code requirements.

» **Local manufacturing ensures fast delivery**

NALCO's extrusion operation is situated in Hamilton along with the warehousing and paint line facilities to ensure seamless supply of extrusion to Bradnam's Commercial and Residential fabrication units throughout New Zealand.

We also design and source all of our hardware and components from leading suppliers at competitive prices – so we can pass those savings on to you.

» **Systems support gets the job done right first time**

Bradnam's is supported by NALCO with systems expertise, new product training, manufacturing, assistance tooling and marketing expertise to ensure we produce the joinery that meets your brief – perfectly.



» **Providing effective solutions since 1982**

Since starting business here in 1982, we've become something of an industry icon in the Auckland region. That's because our clients trust us for delivering innovative window and door solutions – on time.

You can expect that same commitment on every project we do for you.

Being owned by NALCO makes a difference. Having a fully integrated supply chain gives us greater control and gives you greater security.

» **The security of dealing with a financially secure supplier**

In New Zealand, Bradnam's is owned by National Aluminium Ltd (NALCO), a leading provider of window and door technology to markets both in New Zealand and overseas. Bradnam's was first established in Australia in 1976 and continues to have a strong presence there.

NALCO in turn is owned by Window Technologies, a joint venture between NALCO's Managing Director Ron Holden, and Bill Bradnam from Bradnam's in Australia.

This joint venture arrangement allows us to pool our resources. The benefit is a greater depth of expertise when it comes to research and development, innovative design and above all, the speedy delivery of final product.

Trade & Industrial Segments

BRADNAM'S COMMERCIAL

Bradnam's Residential

Nulook Fabricators

Bradnam's Commercial Windows & Doors New Zealand

www.bradnams.co.nz

Bradnam's Commercial
74 The Concourse, Henderson, Auckland, New Zealand
Tel: 0064 9 837 1515 Fax: 0064 9 837 2734

Head Office
42 Lady Ruby Drive, East Tamaki, Auckland, New Zealand
Tel: 0064 9 271 1700 Fax: 0064 9 271 1729

» **The Windows & Doors to suit your commercial application**

Bradnam's W&D's 50% (Bill Bradnam)

Managing Director 50% (Ron Holden)

NALCO
(National Aluminium Limited)

Aluminium Solutions

Suppliers of Aluminium including extrusion & imported rolled product (sheet, plate & coil). Also value add services via 5 branches.

Extrusion Manufacturing Operation

Warehousing, Powder Coating & Engineering Services - Hamilton

Building Products

Product Development, Testing, Tooling design, System Support & Customer Service

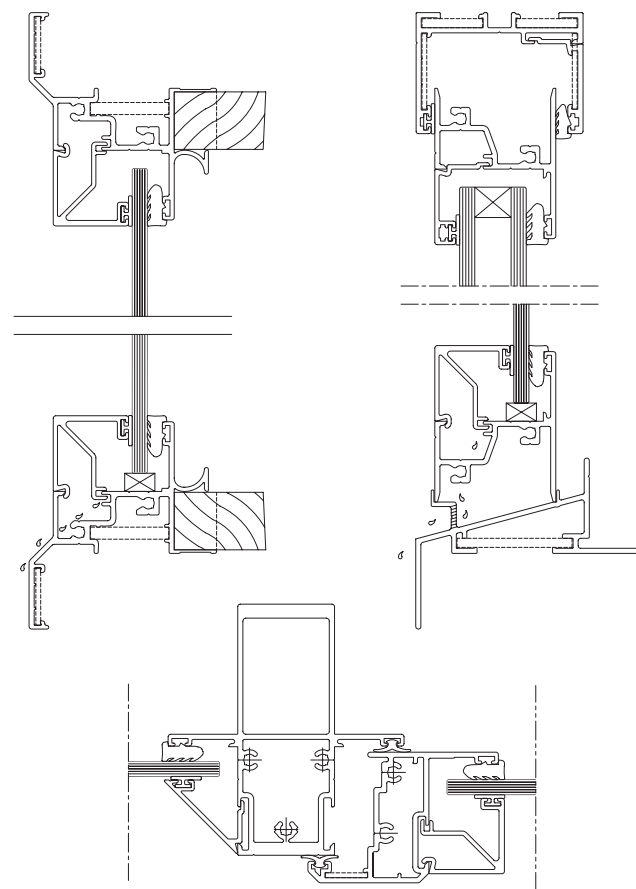
40mm Commercial Window

Bradnam's highly versatile 40mm Commercial and architectural window suite has applications for low and high rise buildings. The suite has a wide range of design options ensuring project success.

Specific features include:

- ▶ Frames including flanged and chair
- ▶ Sashes, casement and awning (manual, or remote gear operated)
- ▶ Strong & heavy duty box back mullions
- ▶ Split mullions & 45° mullions
- ▶ Beaded seismic frame & sill trays
- ▶ Beads, including sloped, double glazed & square beads
- ▶ Single glazing up to 10.5 mm
- ▶ Double glazing up to 24mm

SCALE: Line drawings are 40% of full size.



75mm & 100mm Shopfront

The 75mm Shopfront Suite is an attractive solution for low rise Retail and Commercial frontages, Malls and interior use within Commercial buildings. Shopfront features a central glazing pocket and is compatible with a wide range of Bradnam's Commercial Door options.

The suite includes:

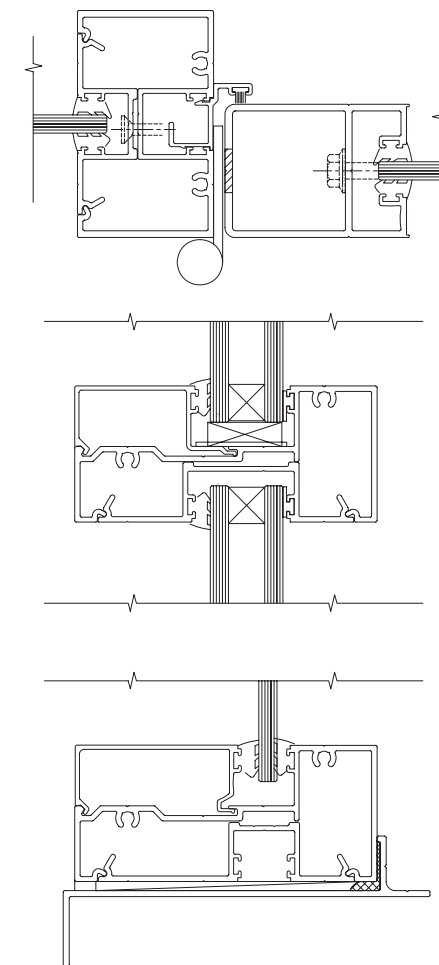
- ▶ Frame/mullion & heavy duty mullions
- ▶ Split mullions
- ▶ Corner posts 90°
- ▶ Square bead
- ▶ Single glazing up to 10mm

100mm Shopfront is designed with a seismic frame option whilst continuing to be compatible with a wide range of Bradnam's Commercial Door options.

The suite includes:

- ▶ Seismic frame with beaded option
- ▶ High performance sill transom
- ▶ Frame/mullion & heavy duty mullions
- ▶ Split mullions & 90° mullions
- ▶ Corner posts 90° mullion
- ▶ Square bead, thick glass bead, double glazing bead, seismic bead
- ▶ Single glazing up to 10mm

SCALE: Line drawings are 40% of full size.



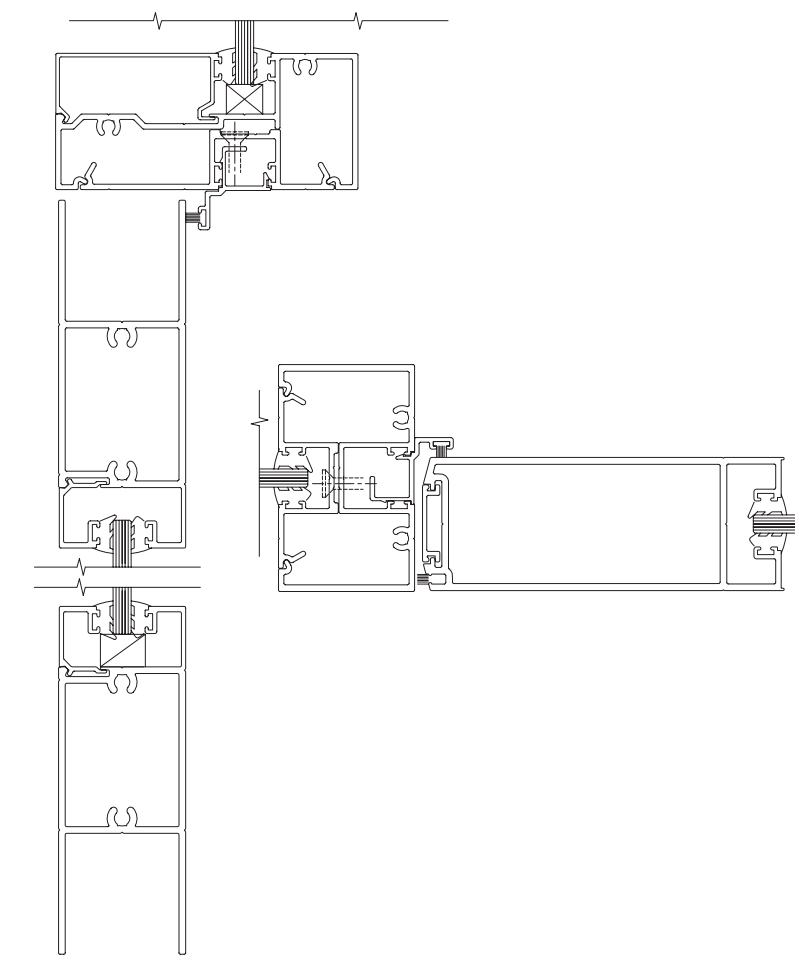
Commercial Doors

Bradnam's Commercial Doors offer a range of design styles to suit most applications. This established range has proven performance and offers countless design options.

Features include:

- ▶ Narrow and wide door stile available in single & double glazed
- ▶ Narrow or wide vision rail
- ▶ Double glazed options
- ▶ Sloped and square bead
- ▶ 12mm glazing pocket
- ▶ Automatic opening, both sliding & pivot
- ▶ Overhead closers or floor springs
- ▶ Electronic or manual locking systems
- ▶ Bi-folding, hinged, pivot sliding or multisiding

SCALE: Line drawings are 40% of full size.



100mm & 150mm Frontline Flush Glaze System

Single & double glazed

The 100mm & 150mm Frontline Flush Glaze Curtain Wall provides a high performing glazed cladding system and is recommended over Shopfront in weather exposed installations and where movement requirements exist due to size configuration or seismic conditions.

The system incorporates:

- ▶ Pocket glazed male & female mullions
- ▶ Split Transom Head and Sill
- ▶ Structural glazed, male, female mullions
- ▶ Box transom
- ▶ Structural glazed transom
- ▶ Inside glazed transom & sill
- ▶ Beaded seismic frame
- ▶ Sloped seismic sill tray
- ▶ Sash adaptor
- ▶ Awning & casement sashes
- ▶ Frameless sash
- ▶ Takes single glazing up to 12.38mm & double glazing up to 26mm
- ▶ 45 and 90° corner post (100mm suites only)

SCALE: Line drawings are 40% of full size.

